

## Victory 36.5 XL110 - LED Vapor Proof

### Victory - LED Vapor Proof Range

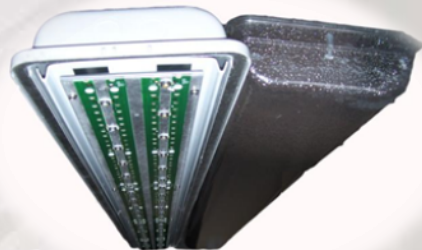
Victory 24 XL110 AC

Victory 36 XL110 AC

The **Victory 36.5 XL110** is an IP65 weatherproof and anti-corrosive luminaire ready for connection to a 230 volt 50Hz supply or a 110 volt 60Hz supply.

This LED light fitting has been manufactured from corrosion resistant glass reinforced polyester and contains a high impact diffuser with captive retention clips.

This LED light is suitable for illuminating multi-storey car parks, railways stations, tunnels, food preparation areas, cold stores and any moist or dusty environment.



### Specifications: Victory 36.5 XL110 - LED Vapor Proof

	AC
<b>Product Code</b>	VP5D-36-A001-C2
<b>Power Consumption LED's</b>	41.04 Watts
<b>Power Consumption Driver</b>	9 Watts
<b>Total Power Consumption</b>	50.04 Watts
<b>Input Voltage</b>	90 – 264Vac
<b>Input Frequency</b>	47 – 63Hz
<b>Light Source</b>	1.14 W High Power LED
<b>LED QTY</b>	36
<b>Total LED Output</b>	3960 lm
<b>Efficiency (Typ.)</b>	85%
<b>LED Colour</b>	Cool White
<b>Colour Temp (K)</b>	5400 - 6300 degrees K (Standard)
<b>CRI</b>	Ra>70
<b>LED Lifespan</b>	100,000 Hours
<b>Operating Temperature</b>	-30 degrees C to + 50 degrees C
<b>Working Humidity</b>	0 ~ 95%
<b>Turn on time</b>	100ns
<b>Product Size (mm)</b>	1576 x 100 x 116
<b>Net Weight</b>	4.5 Kg
<b>Protection Rate</b>	IP65
<b>Certification</b>	RoHS, CE
<b>Warranty</b>	3 Years

**Gemma** LIGHTING LIMITED

Unit 3 , Marshlands Spur  
Farlington  
Portsmouth  
Hampshire  
PO6 1RX

Tel: +44 (0) 844 856 5201  
Fax: +44 (0) 844 856 5209

Email: [info@gemmalighting.com](mailto:info@gemmalighting.com)



# Victory 36.5 XL110 - LED Vapor Proof

## Victory - LED Vapor Proof Range

Victory 24 XL110 AC

Victory 36 XL110 AC

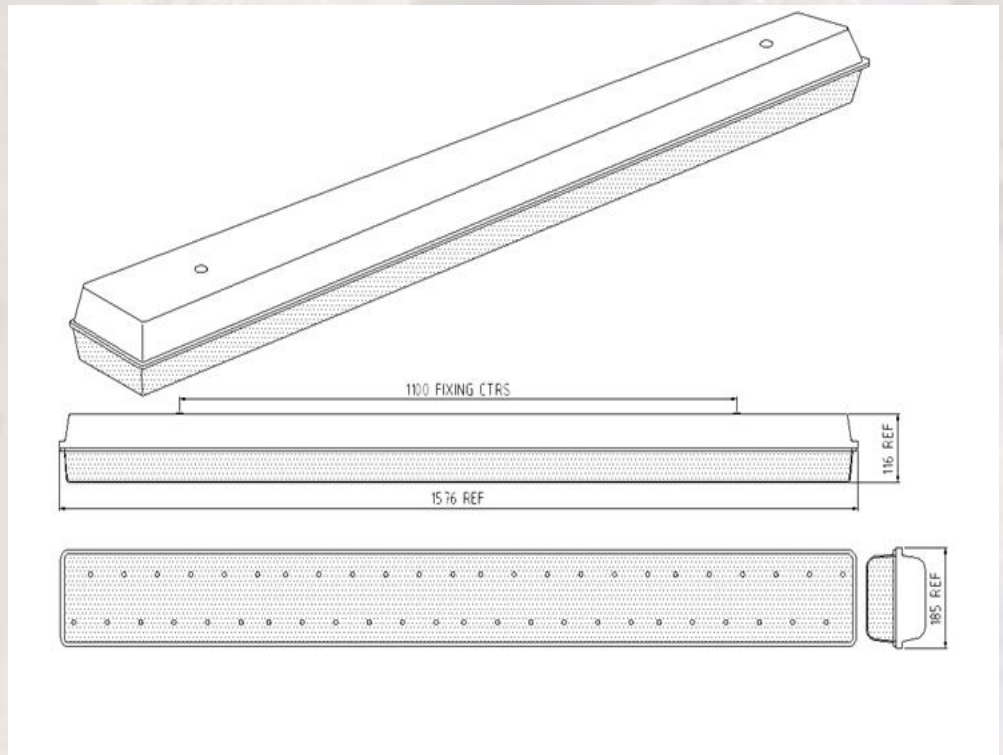


Above: Battery Back Up Box

The **Victory** LED Battery Back Up will power 24 LED's for 3 Hours.

### Specifications: Victory 36 XL110 – Plus Battery Back Up

Product Code:	AC	DC
Victory 36 XL110 – Plus Battery Back Up	VP5D36-A016-C2	N/A



Above: CAD diagram for Victory 36.5 XL110 – LED Vapor Proof

**Gemma** LIGHTING LIMITED

Unit 3 , Marshlands Spur  
Farlington  
Portsmouth  
Hampshire  
PO6 1RX

Tel: +44 (0) 844 856 5201  
Fax: +44 (0) 844 856 5209

Email: [info@gemmalighting.com](mailto:info@gemmalighting.com)

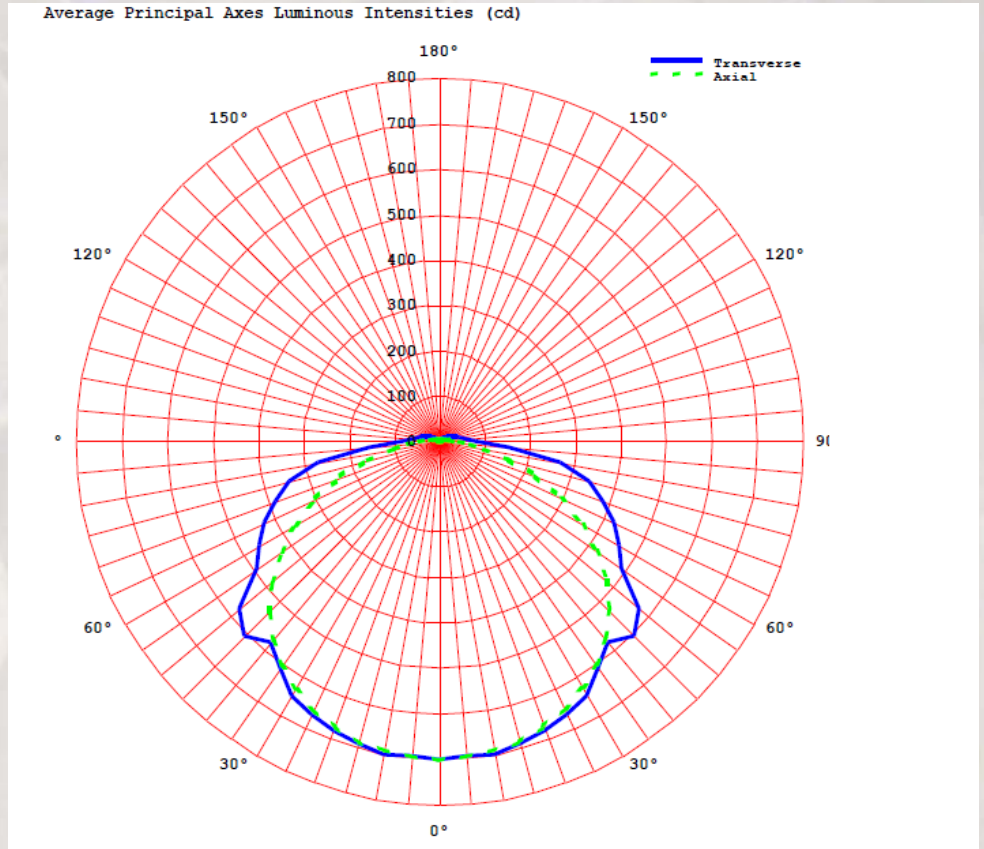


# Victory 36.5 XL110 - LED Vapor Proof

## Victory - LED Vapor Proof Range

Victory 24 XL110 AC

Victory 36 XL110 AC



Above: Average Principal Axes Luminous Intensities (cd)

**Gemma** LIGHTING LIMITED

Unit 3 , Marshlands Spur  
Farlington  
Portsmouth  
Hampshire  
PO6 1RX

Tel: +44 (0) 844 856 5201  
Fax: +44 (0) 844 856 5209

Email: [info@gemmalighting.com](mailto:info@gemmalighting.com)

