



The Endurance 18 XL110 LED path light is an environmentally friendly replacement for traditional path illumination.

This LED path light is ready for connection to either AC mains power supply or our Mercury solar power management units, which provides a flexible lighting solution where mains power is not available or desired.

The Endurance 18 XL110 is manufactured from strong pressure die-cast aluminium with a textured grey/black full polyester powder finish.

The cover of this luminaire is manufactured with toughened glass.

Endurance 18 XL110

Car Park Lighting

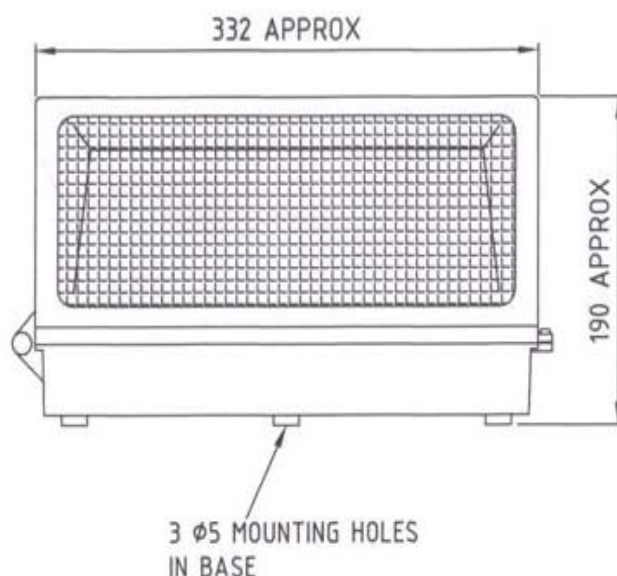
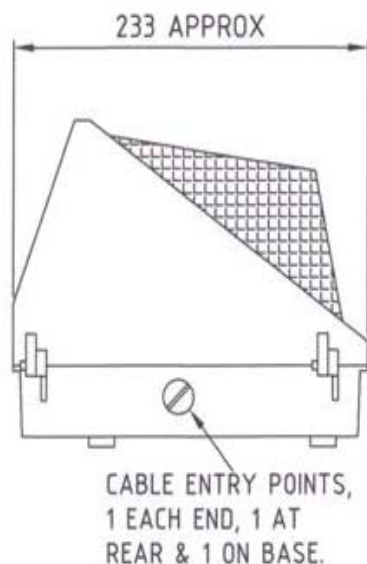
Features

- A versatile bulkhead with widespread distribution
- Achieves energy savings of up to 70% in comparison to traditional solutions.
- Low CO² Emissions
- Low Maintenance
- Long life span > 100,000hrs.
- High Quality - UK Made

Applications

- Car Parks
- Stairwells
- Walk Ways
- Perimeter Lighting
- Buildings
- Security





Specifications

	AC	DC
Product Code	EPL18-A001	ELL18-D001
Power Consumption LED's	20.52 Watts	20.52 Watts
Power Consumption Driver	4.5 Watts	N/A
Total Power Consumption	25.02 Watts	20.52 Watts
Input Voltage	90 -264Vac	12 - 24 VDC
Input Frequency	47 -63Hz	N/A
Light Source	1.14 W High Power LED	1.14 W High Power LED
LED QTY	18	18
Total LED Output	1980 lm	1980 lm
Efficiency (Typ.)	85%	85%
LED Colour	Cool White	Cool White
Colour Temp (K)	5400 -6300 degrees K(Standard)	5400 -6300 degrees K(Standard)
CRI	Ra>70	Ra>70
LED Lifespan	100,000 Hours	100,000 Hours
Operating Temperature	-30 degrees C to + 50 degrees C	-30 degrees C to + 50 degrees C
Working Humidity	0 ~ 95%	0 ~ 95%
Turn on time	100ns	100ns
Product Size (mm)	338mm (W) x 220mm (D) x 184mm (H)	338mm (W) x 220mm (D) x 184mm (H)
Unit colour	Textured grey / black	Textured grey / black
Net Weight	5.5 Kg	5.5 Kg
Mounting	Internal Mounting Holes	Internal Mounting Holes
Protection Rate	IP65	IP65
Certification	RoHS, CE	RoHS, CE
Warranty	3 Years	3 Years

www.gemmalighting.com

0844 856 5201