



The Jaguar 24 XL110 LED globe light is ready for connection to either AC mains power supply or our Mercury solar power management unit, which provides a flexible lighting solution where mains power is not available or desired.

This LED fitting is IP65 rated and is manufactured with a clear polycarbonate sphere with coated upper canopy in either Silver or Black.

The aluminium louvres and LED technology provides a controlled distribution pattern and minimises glare.

The Jaguar globe has easy access to the LED driver via removing bowl.

This luminaire is typically mounted at heights of 4 - 6 meters.

Jaguar 24 XL110

Car Park Lighting

Features

- Effective light distribution.
- Achieves energy savings of up to 75% in comparison to traditional solutions.
- Low CO₂ emissions.
- Low maintenance.
- Long life span > 100,000hrs.
- High Quality - UK Made.

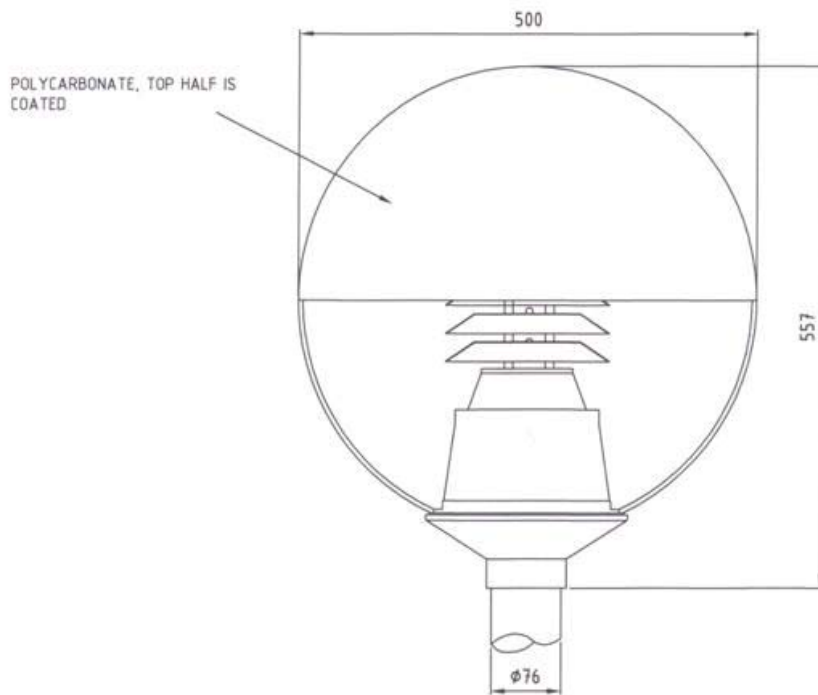
Applications

- Car Parks
- Retail Parks
- Walk Ways
- Parks & Gardens
- Security
- Amenity Areas



www.gemmalighting.com

0844 856 5201



Specifications

	AC	DC
Product Code (Silver Top)	JG24-A001	JG24-D001
Product Code (Black Top)	JG24-A014	JG24-D014
Power Consumption LED's	27.36 Watts	27.36 Watts
Power Consumption Driver	4.5 Watts	N/A
Total Power Consumption	31.86 Watts	27.36 Watts
Input Voltage	90 -264Vac	12 - 24 VDC
Input Frequency	47 -63Hz	N/A
Light Source	1.14 W High Power LED	1.14 W High Power LED
LED QTY	24	24
Total LED Output	2640 lm	2640 lm
Efficiency (Typ.)	85%	85%
LED Colour	Cool White	Cool White
Colour Temp (K)	5400 -6300 degrees K(Standard)	5400 -6300 degrees K(Standard)
CRI	Ra>70	Ra>70
LED Lifespan	100,000 Hours	100,000 Hours
Operating Temperature	-30 degrees C to + 50 degrees C	-30 degrees C to + 50 degrees C
Working Humidity	0 ~ 95%	0 ~ 95%
Turn on time	100ns	100ns
Product Size (mm)	Ø 500mm	Ø 500mm
Unit colour	Capped sphere in silver or black	Capped sphere in silver or black
Net Weight	6 Kg	6 Kg
Mounting	76mm dia column spigot	76mm dia column spigot
Protection Rate	IP65	IP65
Certification	RoHS, CE	RoHS, CE
Warranty	3 Years	3 Years

www.gemmalighting.com

0844 856 5201