



The Star 4 XL110 LED Bulkhead lights are environmentally friendly replacements for traditional bulkhead light fittings.

Typically using 90% less energy, these LED bulkhead lights can significantly reduce energy consumption and cut carbon emissions. Ideal for reducing expenditure and helping with environmental issues.

The Star 4 XL110 can be supplied ready for connection to either to either AC mains power supply or our Mercury solar power management unit on request, which provides a flexible lighting solution where mains power is not available or desired.

The Star 4 XL110 LED Bulkhead Light is IP64 rated and is manufactured with an aluminium body and clear or red polycarbonate lens.

**Note:** These luminaires are ideal for replacing traditional bulkhead fittings containing 60 watt incandescent bulbs.

# Star 4 XL110

## LED Lighting

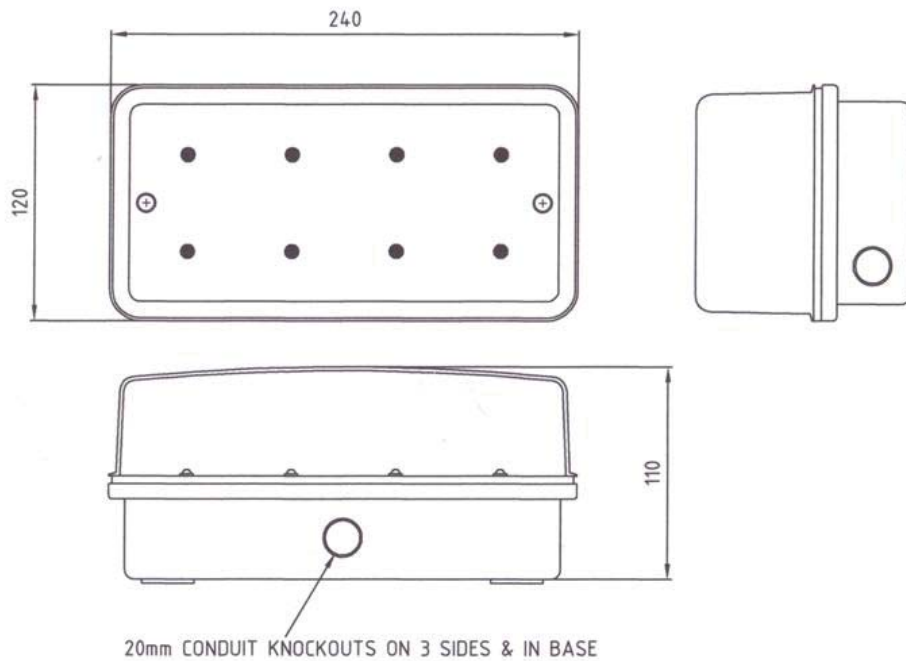
### Features

- High lumen output.
- Achieves energy savings of up to 90% in comparison to traditional solutions.
- Low CO<sup>2</sup> emissions.
- Low maintenance.
- Long life span > 100,000hrs.
- High Quality - UK Made

### Applications

- Walk Ways
- Car Parks
- Security
- Buildings
- Passage Ways
- Stairwells





## Specifications

	AC	DC
<b>Product Code (Clear)</b>	ST4-A001	ST4-D001
<b>Product Code (Red)</b>	ST4-A018	ST4-D018
<b>Power Consumption LED's</b>	4.56 Watts	4.56 Watts
<b>Power Consumption Driver</b>	1.8 Watts	N/A
<b>Total Power Consumption</b>	6.36 Watts	4.56 Watts
<b>Input Voltage</b>	90 -264Vac	12 - 24 VDC
<b>Input Frequency</b>	47 -63Hz	N/A
<b>Light Source</b>	1.14 W High Power LED	1.14 W High Power LED
<b>LED QTY</b>	4 x 2 (55 Lumens)	4 x 2 (55 Lumens)
<b>Total LED Output</b>	440 lm	440 lm
<b>Efficiency (Typ.)</b>	85%	85%
<b>LED Colour</b>	Cool White	Cool White
<b>Colour Temp (K)</b>	5400 -6300 degrees K(Standard)	5400 -6300 degrees K(Standard)
<b>CRI</b>	Ra>70	Ra>70
<b>LED Lifespan</b>	100,000 Hours	100,000 Hours
<b>Operating Temperature</b>	-30 degrees C to +50 degrees C	-30 degrees C to +50 degrees C
<b>Working Humidity</b>	0 ~ 95%	0 ~ 95%
<b>Turn on time</b>	100ns	100ns
<b>Product Size (mm)</b>	220mm (W) x 120mm (D) x 100mm (H)	220mm (W) x 120mm (D) x 100mm (H)
<b>Unit colour</b>	Aluminium body/ Clear or Red PC lens	Aluminium body/ Clear or Red PC lens
<b>Net Weight</b>	1.5 Kg	1.5 Kg
<b>Mounting</b>	20mm conduit knockouts	20mm conduit knockouts
<b>Protection Rate</b>	IP65	IP65
<b>Certification</b>	RoHS, CE	RoHS, CE
<b>Warranty</b>	3 Years	3 Years

www.gemmalighting.com

0844 856 5201