



The Victory 36 XL110 is an IP65 weatherproof and anti-corrosive luminaire ready for connection to a 230 volt 50Hz supply or a 110 volt 60Hz supply.

Using significantly less energy than traditional fluorescent weatherproof fittings, the Victory 36 XL110 can make a noticeable difference to your energy bills as well as helping you reduce your carbon footprint and avoid carbon taxes.

This LED light fitting has been manufactured from corrosion resistant glass reinforced polyester and contains a high impact diffuser with captive retention clips.

# Victory 36 XL110

## LED Lighting

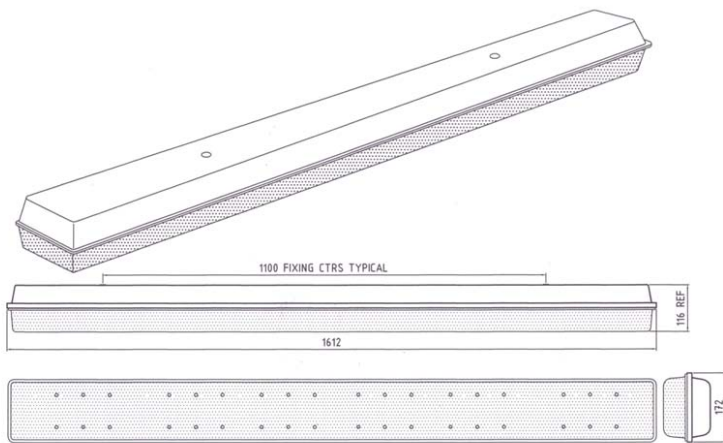
## Features

- Instant strike up time.
- Achieves energy savings of up to 70% in comparison to traditional solutions.
- Low CO<sup>2</sup> emissions.
- Low maintenance.
- Long life span > 100,000hrs.
- High Quality - UK Made.

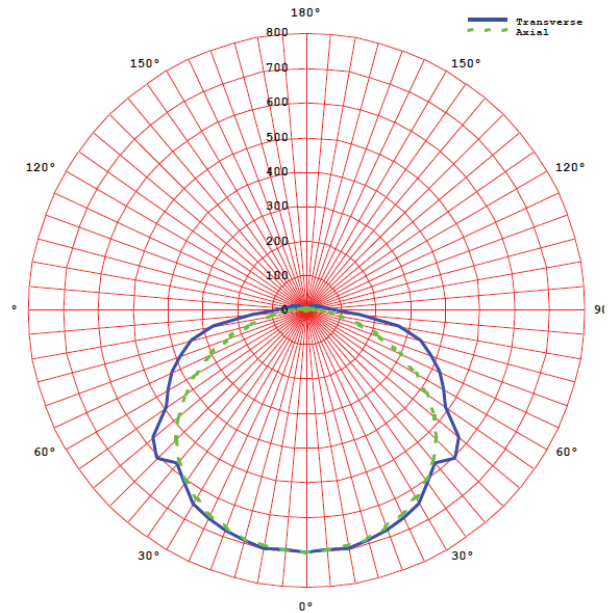
## Applications

- Underground Car Parks
- Cold Stores
- Freezer Centres
- Factories
- Manufacturing
- Industrial Plant





Average Principal Axes Luminous Intensities (cd)



## Specifications

### AC

<b>Product Code (Standard)</b>	VP5D36-A001
<b>Product Code (Emergency Version)</b>	VPD36-A016
<b>Power Consumption LED's</b>	41.04 Watts
<b>Power Consumption Driver</b>	9 Watts
<b>Total Power Consumption</b>	50.04 Watts
<b>Input Voltage</b>	90 -264Vac
<b>Input Frequency</b>	47 -63Hz
<b>Light Source</b>	1.14 W High Power LED
<b>LED QTY</b>	36
<b>Total LED Output</b>	3960 lm
<b>Efficiency (Typ.)</b>	85%
<b>LED Colour</b>	Cool White
<b>Colour Temp (K)</b>	5400 -6300 degrees K(Standard)
<b>CRI</b>	Ra>70
<b>LED Lifespan</b>	100,000 Hours
<b>Operating Temperature</b>	-30 degrees C to +50 degrees C
<b>Working Humidity</b>	0 ~ 95%
<b>Turn on time</b>	100ns
<b>Product Size (mm)</b>	1612mm (W) x 172mm (D) x 116mm (H)
<b>Net Weight</b>	4.5 Kg
<b>Protection Rate</b>	IP65
<b>Certification</b>	RoHS, CE
<b>Warranty</b>	3 Years

www.gemmalighting.com

0844 856 5201