



The Warrior 24 XL110 LED lighting solution is an environmentally friendly, energy saving replacement for traditional sodium, mercury and halogen style globe and post top lights.

This LED globe light is ready for connection to either AC mains power supply or our Mercury solar power management units, which provides a flexible lighting solution where mains power is not available or desired.

This LED fitting is IP65 rated and is manufactured with a high pressure die-casting aluminum body and high quality prismatic prism PC diffuser.

The Prismatic diffuser and LED technology provide a controlled distribution pattern and minimises glare.

This luminaire is typically mounted at heights of 4 -6 meters.

Warrior 24 XL110

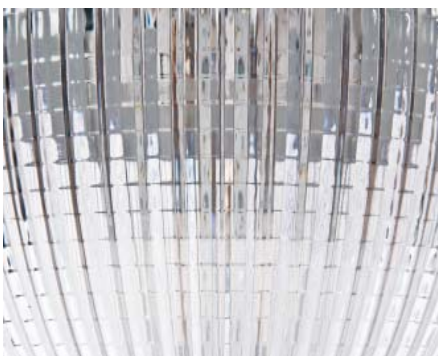
Car Park Lighting

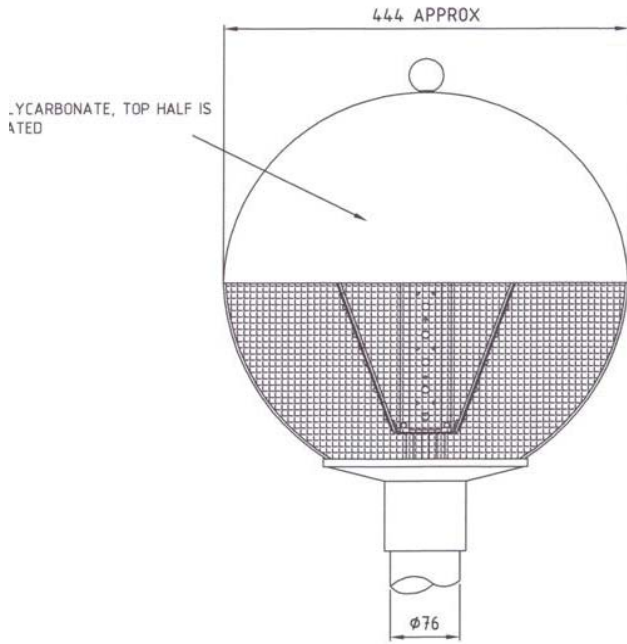
Features

- Effective light distribution.
- Achieves energy savings of up to 75% in comparison to traditional solutions.
- Low CO² emissions.
- Low maintenance.
- Long life span > 100,000hrs.
- High Quality - UK Made.

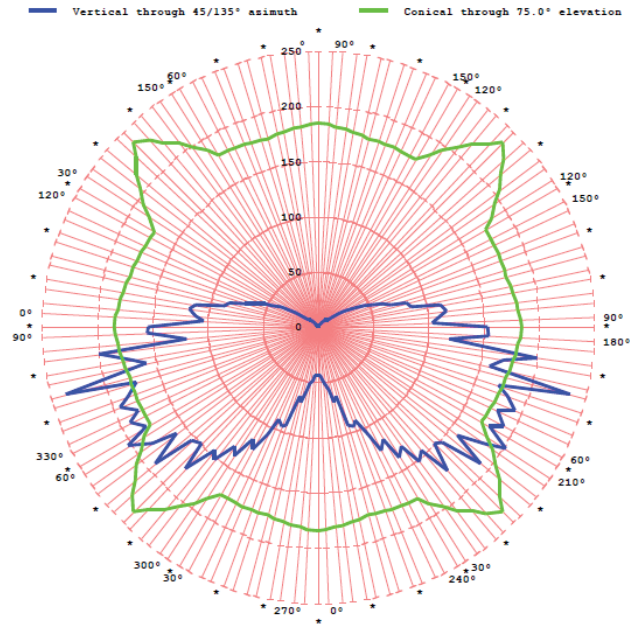
Applications

- Car Parks
- Retail Parks
- Walk Ways
- Park & Gardens
- Security
- Amenity Areas





Average Principal Vertical & Principal Conical Luminous Intensities (cd)



Specifications

	AC	DC
Product Code	WG24-A014	WG24-D014
Power Consumption LED's	27.36 Watts	27.36 Watts
Power Consumption Driver	4.5 Watts	N/A
Total Power Consumption	31.86 Watts	27.36 Watts
Input Voltage	90 -264Vac	12 - 24 VDC
Input Frequency	47 -63Hz	N/A
Light Source	1.14 W High Power LED	1.14 W High Power LED
LED QTY	24	24
Total LED Output	2640 lm	2640 lm
LED Driver Efficiency (Typ.)	85%	85%
LED Colour	Cool White	Cool White
Colour Temp (K)	5400 -6300 degrees K(Standard)	5400 -6300 degrees K(Standard)
CRI	Ra>70	Ra>70
LED Lifespan	100,000 Hours	100,000 Hours
Operating Temperature	-30 degrees C to + 50 degrees C	-30 degrees C to + 50 degrees C
Working Humidity	0 ~ 95%	0 ~ 95%
Turn on time	100ns	100ns
Product Size (mm)	444mm X 444mm X 444mm	444mm X 444mm X 444mm
Unit colour	Black	Black
Net Weight	6 Kg	6 Kg
Mounting	76mm dia Column Spigot	76mm dia Column Spigot
Protection Rate	IP65	IP65
Certification	RoHS, CE	RoHS, CE
Warranty	3 Years	3 Years