

VP 24.5 XL110 - LED Vapor Proof

Alternative Products

Industrial LED Bulkhead Range

Star 12 XL110 AC
Star 12 XL110 DC

Star 24 XL110 AC
Star 24 XL110 DC

This LED Vapor Proof is an IP65 weatherproof and anti-corrosive luminaire ready for connection to a 230 volt 50Hz supply or a 110 volt 60Hz supply.



This LED light fitting has been manufactured from corrosion resistant glass reinforced polyester and contains a high impact diffuser, with captive retention clips.



This LED light is suitable for illuminating multi-storey car parks, railways stations, tunnels, food preparation areas, cold stores and any moist or dusty environment.

Specifications: LED Vapor Proof

	VP 24.5 XL110 AC
Product Code	VPS5-24-A001-C2
Power Consumption LED's	27.36 Watts
Power Consumption Driver	4.5 Watts
Total Power Consumption	31.86 Watts
Input Voltage	90 – 264Vac
Input Frequency	47 – 63Hz
Light Source	1.14 W High Power LED
LED QTY	24
Total LED Output	2640 lm
Operating Lumens at 25°C	2112 lm
LED Colour	Cool White
Colour Temp (K)	5400 - 6300 degrees K (Standard)
CRI	Ra>70
LED Lifespan	50,000 > 80,000 Hours
Operating Temperature	-30 degrees C to + 50 degrees C
Working Humidity	0 ~ 95%
Turn on time	100ns
Product Size (mm)	1576 x 100 x 116
Net Weight	2 Kg
Protection Rate	IP65
Certification	RoHS, CE
Warranty	3 Years

Gemma LIGHTING LIMITED

Unit 3 , Marshlands Spur
Farlington
Portsmouth
Hampshire
PO6 1RX

Tel: +44 (0) 844 856 5201
Fax: +44 (0) 844 856 5209

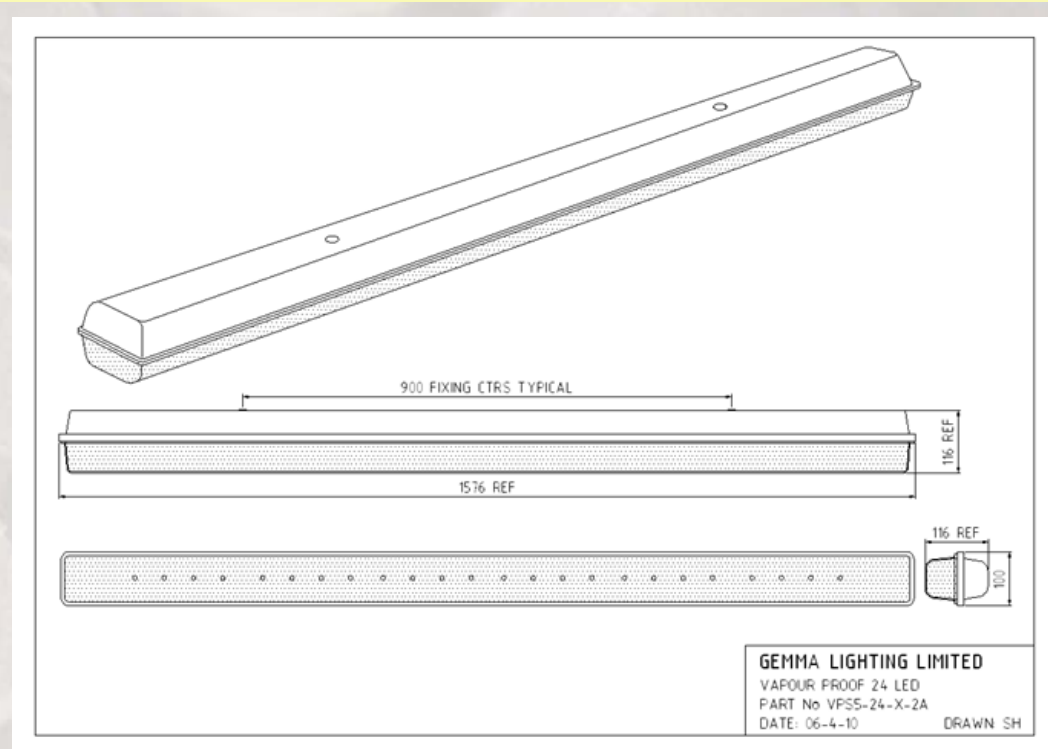
Email: info@gemmalighting.com



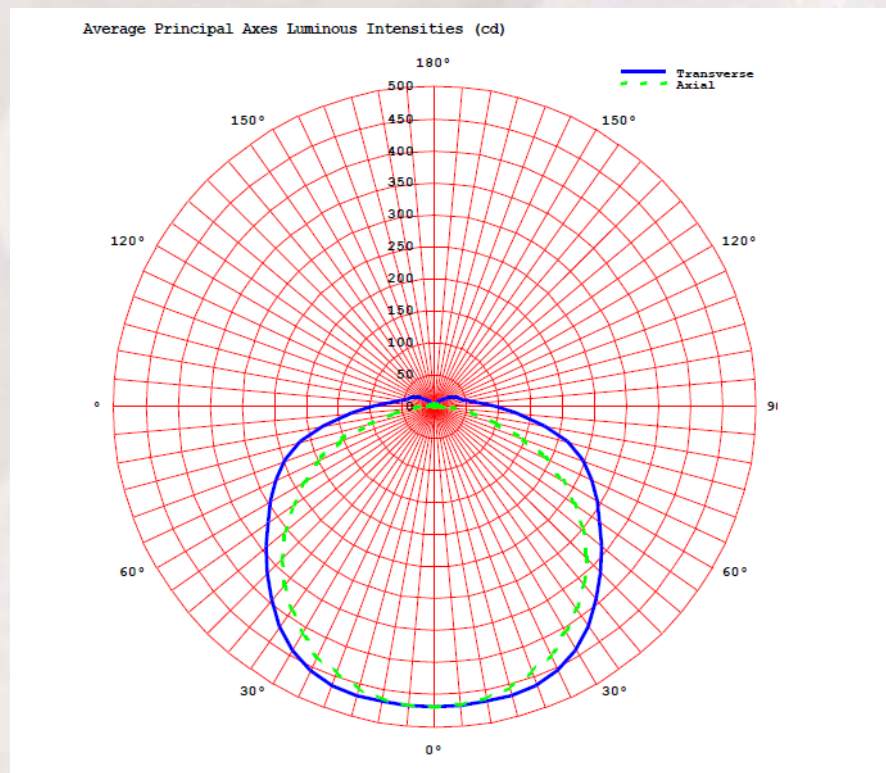


**LIGHTING
LIMITED**

VP 24.5 XL110 - LED Vapor Proof



Above: CAD diagram for VP24.5 XL110 – LED Vapor Proof



Above: Average Principal Axes Luminous Intensities (cd)

Gemma LIGHTING LIMITED

Unit 3 , Marshlands Spur
Farlington
Portsmouth
Hampshire
PO6 1RX

Tel: +44 (0) 844 856 5201
Fax: +44 (0) 844 856 5209

Email: info@gemmalighting.com

