

Sun 12 XL100 - LED Flood Light

Sun - LED Flood Light Range

Sun 12 XL100 AC
Sun 12 XL100 DC

Sun 24 XL100 AC
Sun 24 XL100 DC

Sun 48 XL100 AC
Sun 48 XL100 DC

Sun 72 XL100 AC
Sun 72 XL100 DC

Alternative Products

Star - LED 2D Bulkhead Range

Star 16 XL100 AC
Star 16 XL100 DC

Star 24 XL100 AC
Star 24 XL100 DC

Gemma LIGHTING LIMITED

Unit 3 , Marshlands Spur
Farlington
Portsmouth
Hampshire
PO6 1RX

Tel: +44 (0) 844 856 5201
Fax: +44 (0) 844 856 5209

Email: info@gemmalighting.com



The **Sun 12 XL100** LED lighting solution is an environmentally friendly, energy saving replacement for a traditional sodium, mercury and halogen style flood light.

This LED flood light is ready for connection to either AC mains power supply or our Mercury solar power management units, which provide a flexible lighting solution where mains power is not available or desired.



These LED flood lights can be used singularly or in groups to provide lighting for applications ranging from recreation area lighting to warehouse lighting, sign lighting, building lighting, car park lighting and perimeter fence lighting.

Note: All LEDs are encased in a compound that will give them protection from any ingress of liquids or solids and all other electronic components are enclosed in an IP66 rated assembly.

Specifications: Sun 12 XL100 - LED Flood Light

	AC	DC
Product Code	S-12-4-2A-A	S-12-4-1D-A
Power Consumption	16 Watts	12 Watts
Input Voltage	230V AC 50Hz / 110V AC 60Hz	12 VDC
Light Source	1W High Power LED	
LED QTY	12	
Total LED Output	1200 lm	
Operating Lumens at 25°C	960 lm	
LED Colour	Cool White	
Colour Temp (K)	5400 - 6300 degrees K (Standard)	
CRI	Ra>70	
LED Lifespan	>50,000 Hours	
Operating Temperature	-30 degrees C to + 70 degrees C	
Working Humidity	0 ~ 95%	
Turn on time	100ns	
Product Size (mm)	210mm x 109mm x 56mm	
Unit colour	Silver	
Net Weight	1.6 Kg	
Mounting	Wall Mounting Bracket (Standard)	
Protection Rate	IP66 (Light Engine & Power Supply)	
Certification	RoHS, CE	
Warranty	3 Years	

Sun 12 XL100 - LED Flood Light

Sun - LED Flood Light Range

Sun 12 XL100 AC
Sun 12 XL100 DC

Sun 24 XL100 AC
Sun 24 XL100 DC

Sun 48 XL100 AC
Sun 48 XL100 DC

Sun 72 XL100 AC
Sun 72 XL100 DC

Alternative Products

Star - LED 2D Bulkhead Range

Star 16 XL100 AC
Star 16 XL100 DC

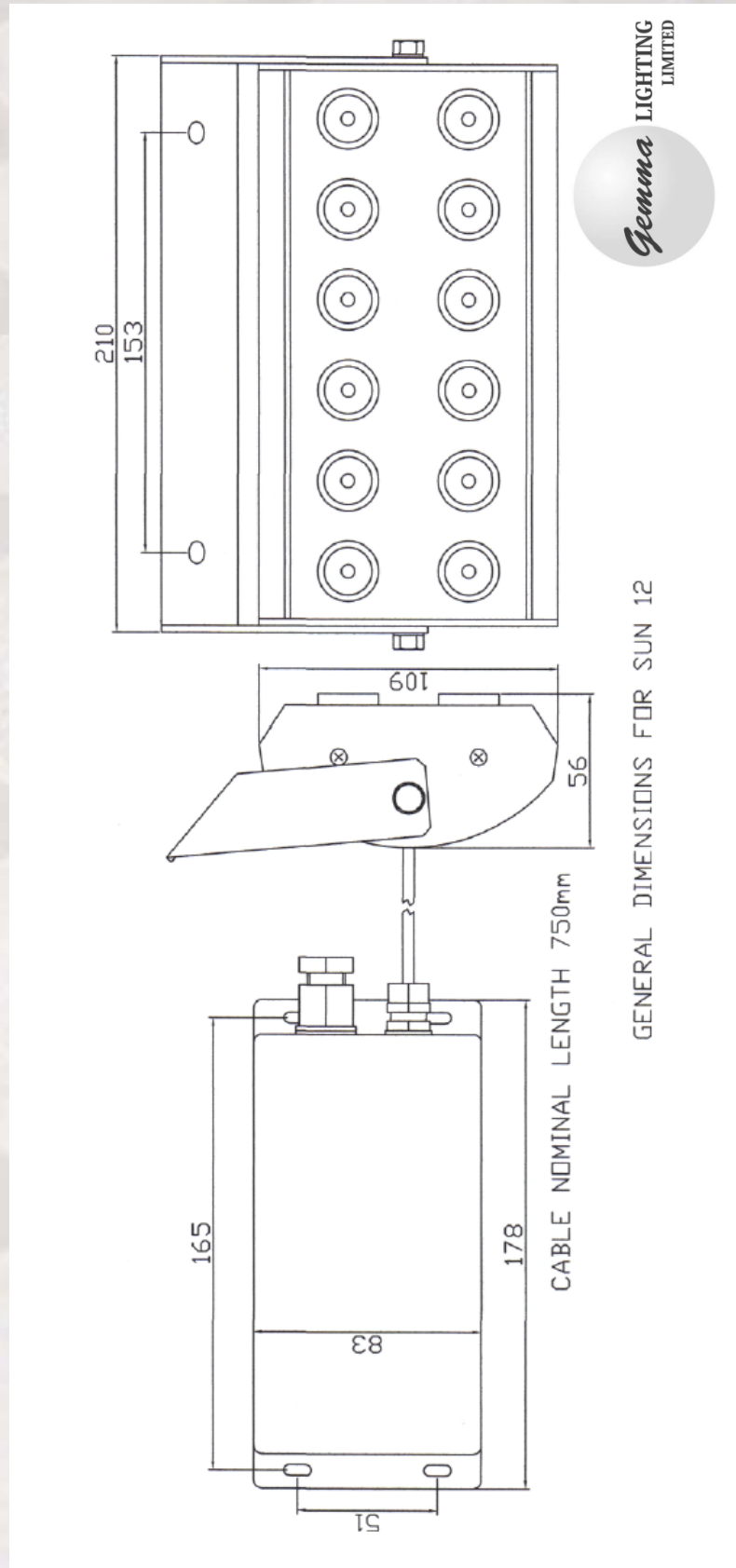
Star 24 XL100 AC
Star 24 XL100 DC

Gemma LIGHTING LIMITED

Unit 3, Marshlands Spur
Farlington
Portsmouth
Hampshire
PO6 1RX

Tel: +44 (0) 844 856 5201
Fax: +44 (0) 844 856 5209

Email: info@gemmalighting.com



Gemma LIGHTING LIMITED

Gemma

GENERAL DIMENSIONS FOR SUN 12

CABLE NOMINAL LENGTH 750mm