

VP48.5 XL100 – LED Vapor Proof

Alternative Products

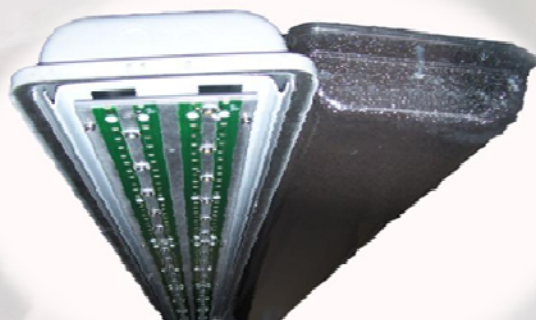
Venus LED Ceiling Tile

Venus 32 XL100 AC
(600mm x 600mm)

Venus 64 XL100 AC
(1200mm x 600mm)

The **VP48.5 XL100** is an IP65 weatherproof and anti-corrosive luminaire ready for connection to a 230 volt 50Hz supply or a 110 volt 60Hz supply.

This LED light fitting has been manufactured from corrosion resistant glass reinforced polyester and contains a high impact diffuser with captive retention clips.



This LED light is suitable for illuminating multi-storey car parks, railways stations, tunnels, food preparation areas, cold stores and any moist or dusty environment.

Specifications: VP48.5 XL100 – LED Vapor Proof

	AC	DC
Product Code	VP-D5-48-4S-2A	VP-D5-48-4S-1D
Power Consumption	56 Watts	48 Watts
Input Voltage	230V AC 50Hz / 110V AC 60Hz	12 VDC
Light Source	1W High Power LED	
LED QTY	48	
Total LED Output	4800 lm	
Operating Lumens at 25°C	3840 lm	
LED Colour	Cool White	
Colour Temp (K)	5400 - 6300 degrees K (Standard)	
CRI	Ra>70	
LED Lifespan	>50,000 Hours	
Operating Temperature	-30 degrees C to + 70 degrees C	
Working Humidity	0 ~ 95%	
Turn on time	100ns	
Product Size (mm)	1576 x 185 x 116	
Net Weight	3Kg	
Protection Rate	IP65	
Certification	RoHS, CE	
Warranty	3 Years	

Gemma LIGHTING LIMITED

Unit 3 , Marshlands Spur
Farlington
Portsmouth
Hampshire
PO6 1RX

Tel: +44 (0) 844 856 5201
Fax: +44 (0) 844 856 5209

Email: info@gemmalighting.com



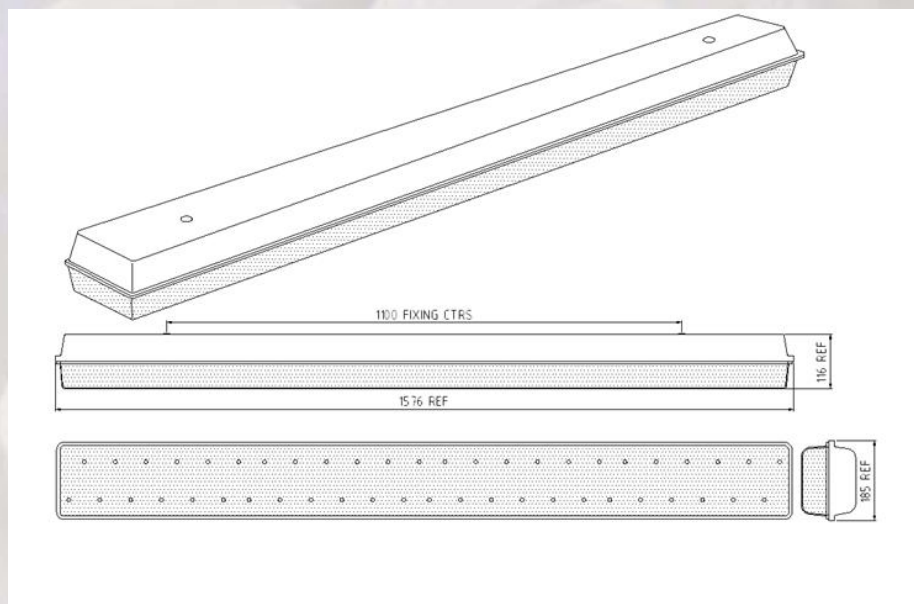
VP48.5 XL100 – LED Vapor Proof

Alternative Products

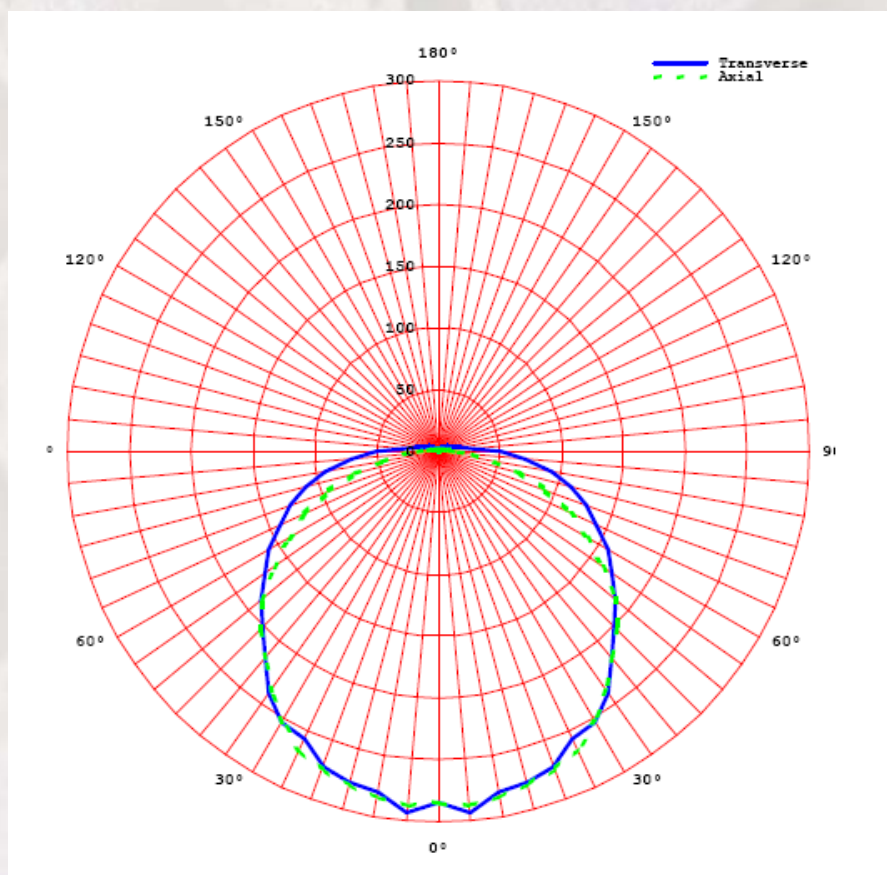
Venus LED Ceiling Tile

Venus 32 XL100 AC
(600mm x 600mm)

Venus 64 XL100 AC
(1200mm x 600mm)



Above: CAD diagram for VP48.5 XL100 – LED Vapor Proof



Above: Average Principal Axes Luminous Intensities (cd/klm)

Gemma LIGHTING LIMITED

Unit 3, Marshlands Spur
Farlington
Portsmouth
Hampshire
PO6 1RX

Tel: +44 (0) 844 856 5201
Fax: +44 (0) 844 856 5209

Email: info@gemmalighting.com

