

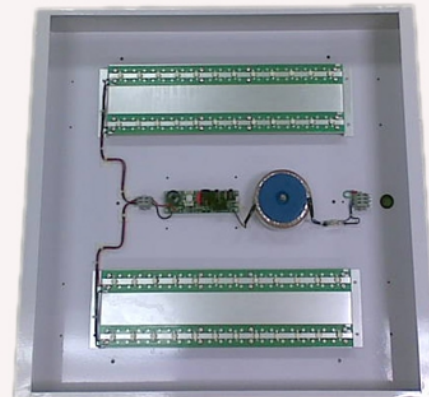
## Venus - LED Ceiling Tile

### Venus - LED Ceiling Tile Range

Venus 32 XL100 AC  
(600mm x 600mm)

Venus 64 XL100 AC  
(1200mm x 600mm)

The **Venus range of LED ceiling tiles** are replacement units for traditional fluorescent lighting systems, with connection to a 230 volt 50Hz supply or a 110 volt 60Hz supply. These applications are ideal for replacing product in facilities such as office blocks, schools, factory units, retail outlets, restaurants, public houses and all areas where fluorescent tube lighting is commonly used.



### Specifications: Venus - LED Ceiling Tile

	Venus 32 XL100 AC	Venus 64 XL100 AC
<b>Product Code (R)</b>	V-32-4-2A-A-R	V-64-4-2A-A-R
<b>Product Code (SM)</b>	V-32-4-2A-A-SM	V-64-4-2A-A-SM
<b>Power Consumption</b>	36 Watts	72 Watts
<b>Input Voltage</b>	230V AC 50Hz / 110V AC 60Hz	
<b>Light Source</b>	1W High Power LED	
<b>LED QTY</b>	32	64
<b>Total LED Output</b>	3200 lm	6400 lm
<b>Operating Lumens at 25°c</b>	2667 lm	5334 lm
<b>LED Colour</b>	Cool White	
<b>Colour Temp (K)</b>	5400 - 6300 degrees K (Standard)	
<b>CRI</b>	Ra>70	
<b>LED Lifespan</b>	>50,000 Hours	
<b>Operating Temperature</b>	-30 degrees C to + 70 degrees C	
<b>Working Humidity</b>	0 ~ 95%	
<b>Turn on time</b>	100ns	
<b>Product Size (mm)</b>	600mm x 600mm	1200mm x 600mm
<b>Unit colour</b>	White	
<b>Net Weight</b>	6 Kg	
<b>Mounting</b>	Recessed (R) / Surface Mount (SM)	
<b>Certification</b>	RoHS, CE	
<b>Warranty</b>	3 Years	

**Gemma LIGHTING LIMITED**

Unit 3 , Marshlands Spur  
Farlington  
Portsmouth  
Hampshire  
PO6 1RX

Tel: +44 (0) 844 856 5201  
Fax: +44 (0) 844 856 5209

Email: [info@gemmalighting.com](mailto:info@gemmalighting.com)

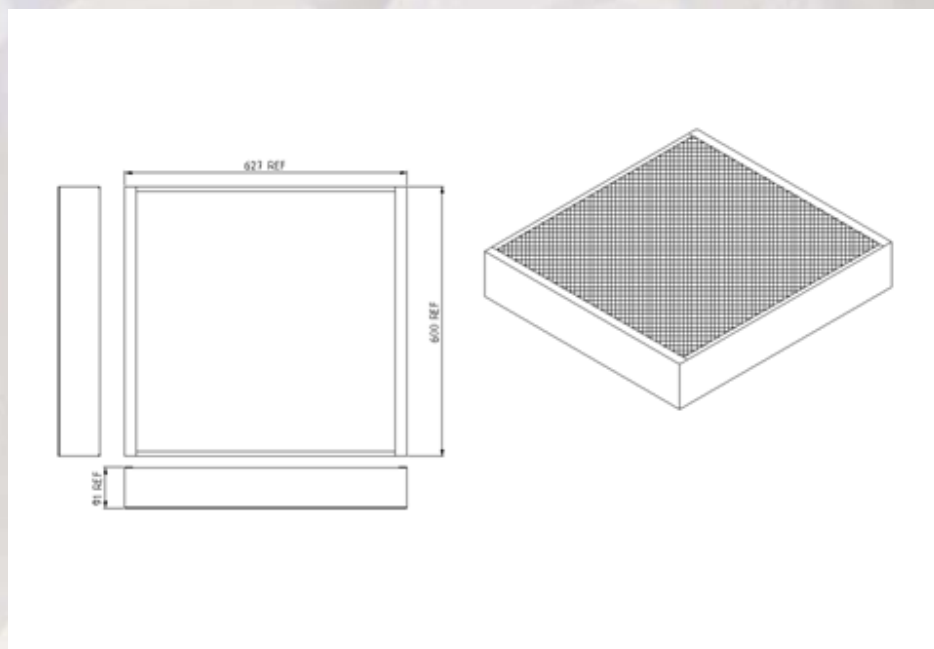


# Venus - LED Ceiling Tile

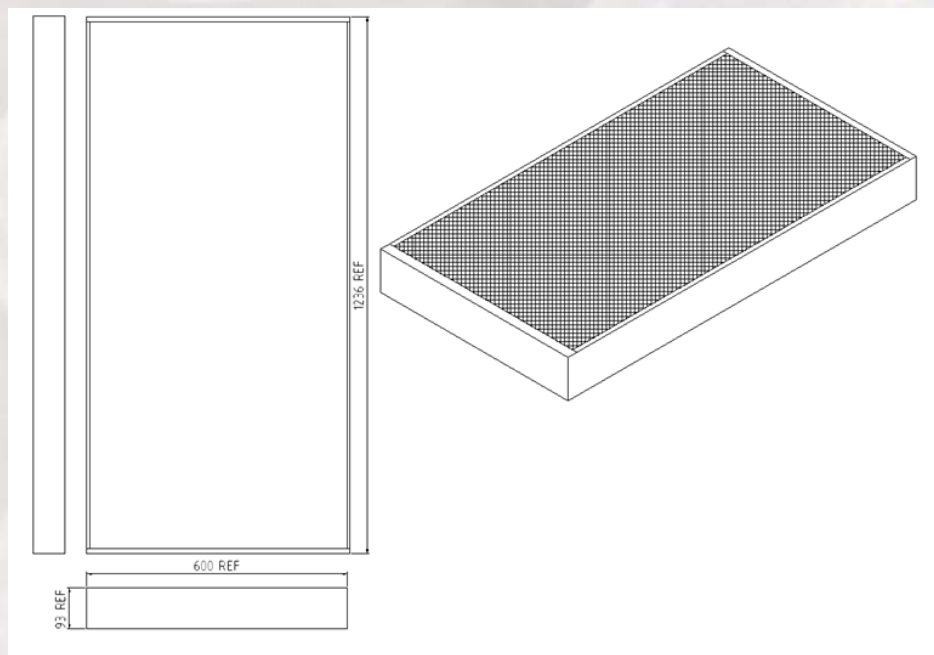
## Venus - LED Ceiling Tile Range

Venus 32XL100 AC  
(600mm x 600mm)

Venus 64XL100 AC  
(1200mm x 600mm)



Above: CAD diagram for Venus 32 XL100 (600 X 600) LED Ceiling Tile – Surface Mount



Above: CAD diagram for Venus 64 XL100 (1200 X 600) LED Ceiling Tile – Surface Mount

### *Gemma* LIGHTING LIMITED

Unit 3 , Marshlands Spur  
Farlington  
Portsmouth  
Hampshire  
PO6 1RX

Tel: +44 (0) 844 856 5201  
Fax: +44 (0) 844 856 5209

Email: [info@gemmalighting.com](mailto:info@gemmalighting.com)

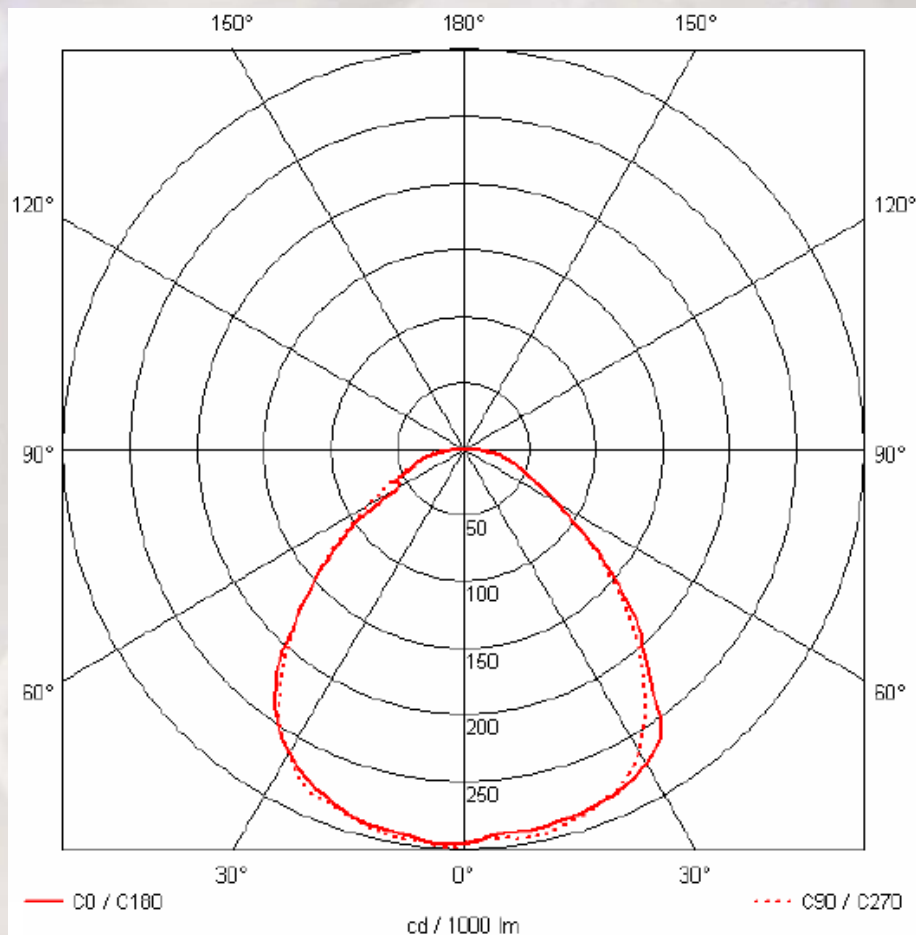


# Venus - LED Ceiling Tile

## Venus - LED Ceiling Tile Range

Venus 32XL100 AC  
(600mm x 600mm)

Venus 64XL100 AC  
(1200mm x 600mm)



Above: Polar plot of the Venus 32 XL100 (600 X 600) LED Ceiling Tile. Measured in candela per kilolumens.

## Gemma LIGHTING LIMITED

Unit 3 , Marshlands Spur  
Farlington  
Portsmouth  
Hampshire  
PO6 1RX

Tel: +44 (0) 844 856 5201  
Fax: +44 (0) 844 856 5209

Email: [info@gemmalighting.com](mailto:info@gemmalighting.com)

