



The Star Red 6W is a tough and robust rectangular IP65 rated bulkhead luminaire.

Manufactured with an aluminium body and a high impact prismatic polycarbonate lens which is shatter-proof, weather resistant and UV stabilised.

The Star Red comes with security fixing screws and cover key for additional security.



Star Red 6W - LED Bulkhead

Wall Mounted Lighting



Features & Benefits

- LED radiant flux 463mW (657nm).
- Luminaire radiant flux 394mW (657nm).
- Total wattage 6W.
- Hyper Red (R) single spectrum colour options.
- IP65 / IK08 rated.
- -20 to +40°C operating temperature (Emergency 0 to +40°C).
- Long life span > 100,000hrs.
- High power LED and Osram Driver.
- UV stabilised polycarbonate lens for subtle diffused lighting.
- Tamper proof fixings for increased vandal resistance.
- Manufactured with aluminium body to provide tough and robust solution.
- High Impact UV stabilised prismatic polycarbonate lens.
- Rear or side cable entry.






Light Conditions



Dark Conditions

Applications

-  Passage Ways
-  Buildings
-  Car Parks
-  Walkways
-  Security
-  Stairwells

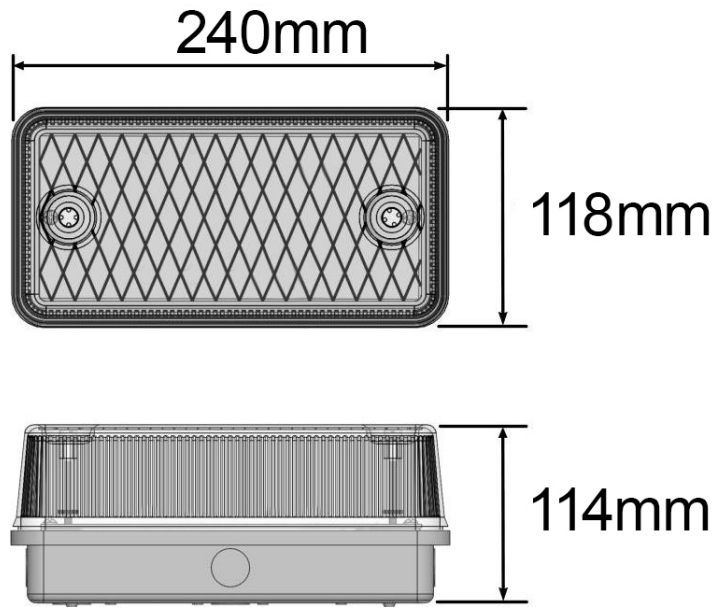
Spectrum Options



Painted Options



Dimensions



Specifications

Star Red 6W

Item Number	Description	Light Source	LED Radiant Flux (mW)	Total Wattage (W)	LED Colour	LED Wavelength (nm)	Voltage (VAC)	Driver Current (mA)	Luminaire Radiant Flux (mW)	Radiant Efficacy (%)	Kg	Unit Colour	Diffuser
Standard - Red													
ST6-AR-00-CL	Star-6W-LED-AC-Hyper-Red-657nm-Std-Clear Diffuser	LED	463	6	Hyper Red	657	220-240	350	394	63	0.75	White	Clear

Legend: **Std** = Standard. **R** = Red 657nm. **CL** = Clear Diffuser.

Photometric Data

To access our photometric data, visit: bit.ly/3BaSfio.



Gemma Lighting Ltd,
Unit 3, Marshlands Spur, Farlington,
Portsmouth, Hampshire, UK, PO6 1RX.

www.gemmalighting.com
+44 (0) 2392 315 911

Need a Lighting Design?

We offer a free of charge design service, contact our team today:
studio@gemmalighting.com.

Disclaimer: Information correct at the time of publication; V220912.