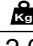
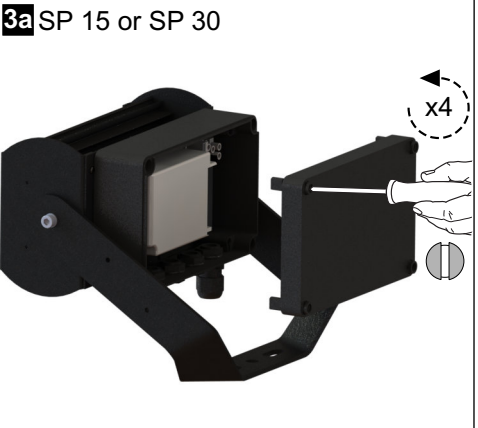
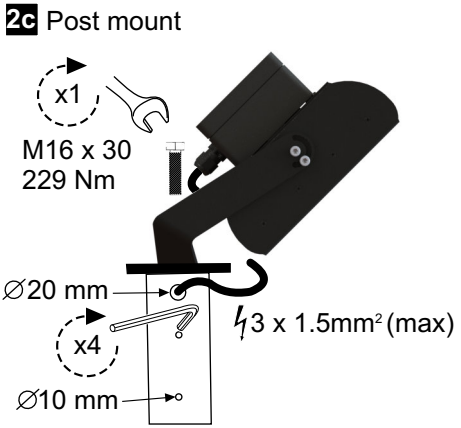
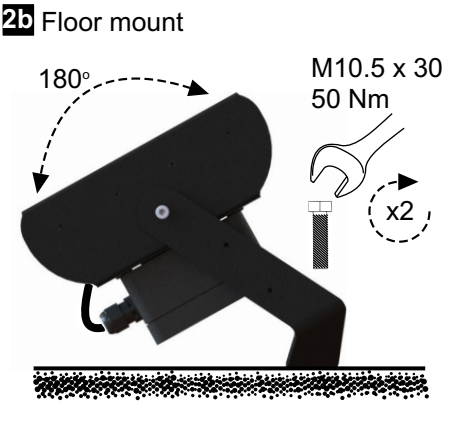
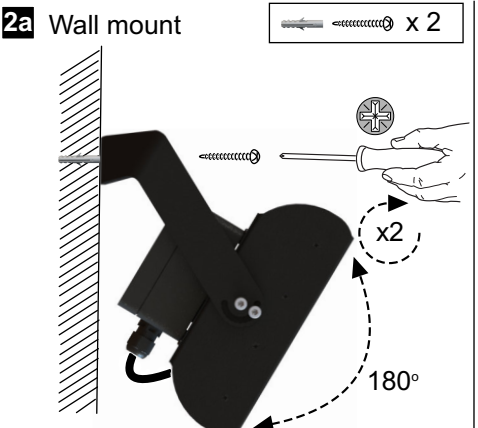
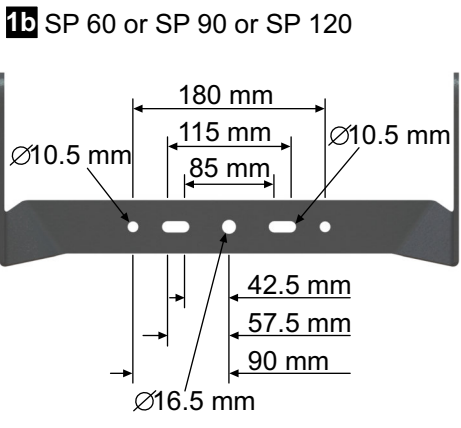
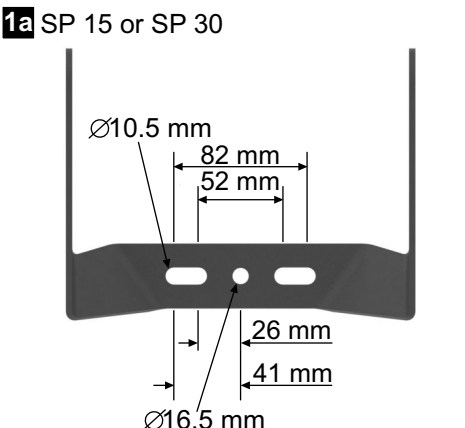
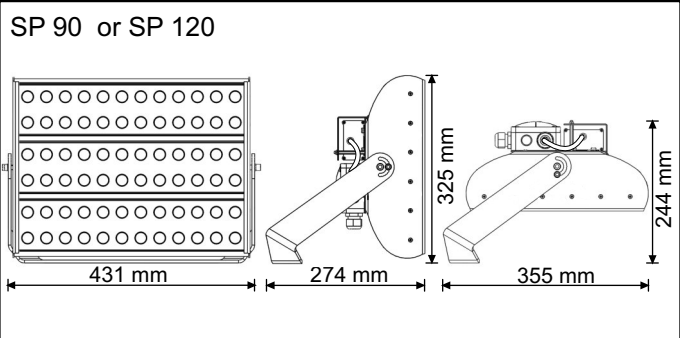
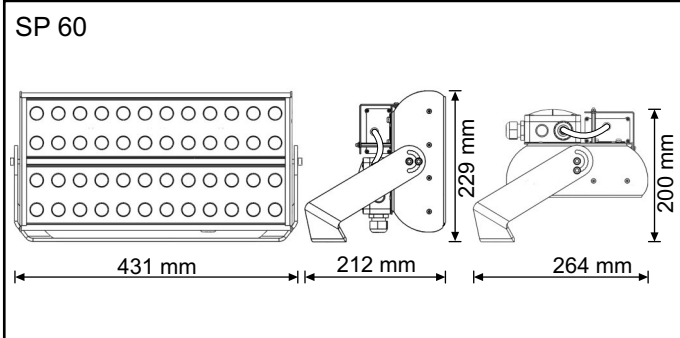
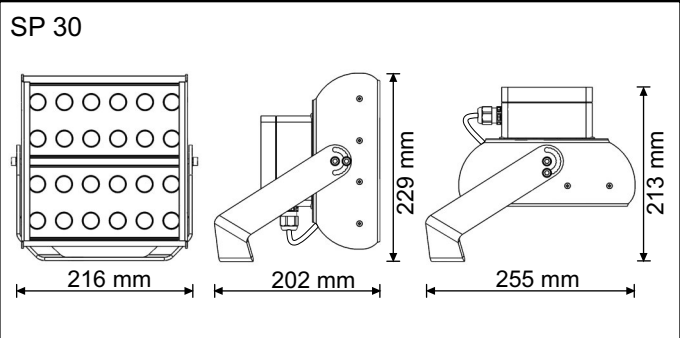
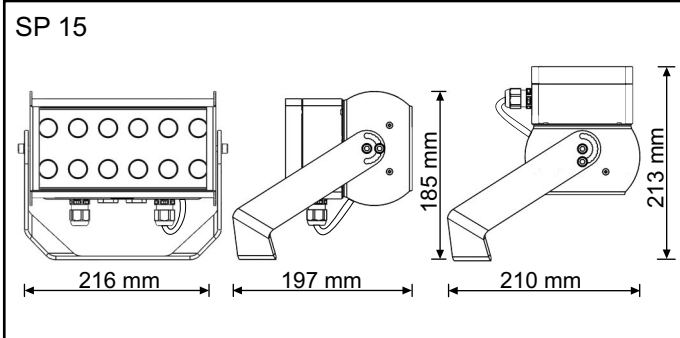
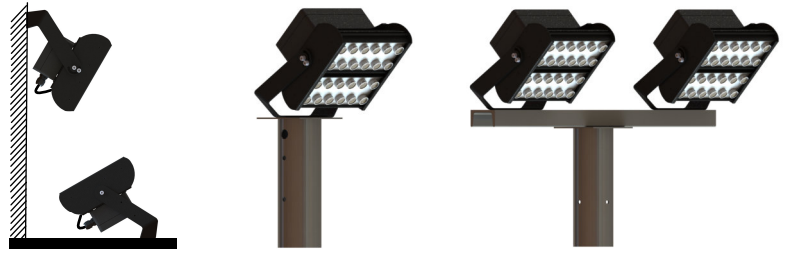


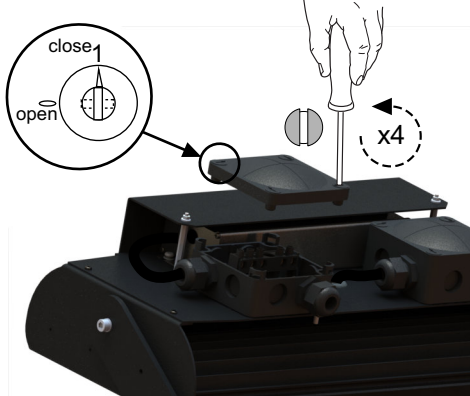
Spitfire

⚡ 220-240V ~ 50/60Hz IP65 IP66 IK08    GIS25K1

Power (w)		Windage - Surface (m ²)	IP ratings
15	2.0	0.05m ²	IP 66
30	3.5	0.09m ²	IP 66
60	6.5	0.18m ²	IP 66
90	8.5	0.26m ²	IP 66
120	9.5	0.26m ²	IP 65

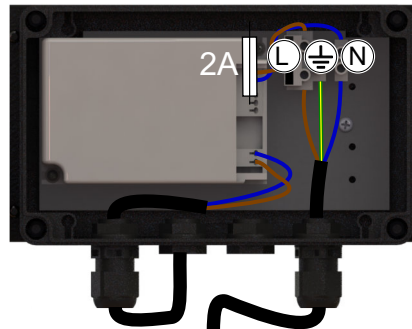


3b SP 60 or SP 90 or SP 120



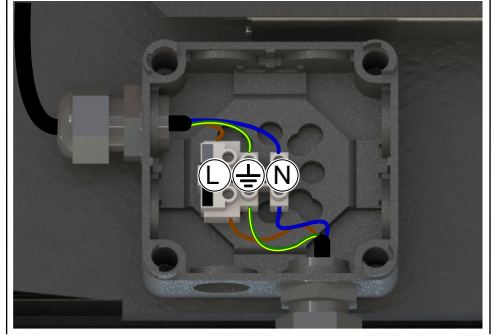
4a SP 15 or SP 30

3 x 1.5mm² (max)

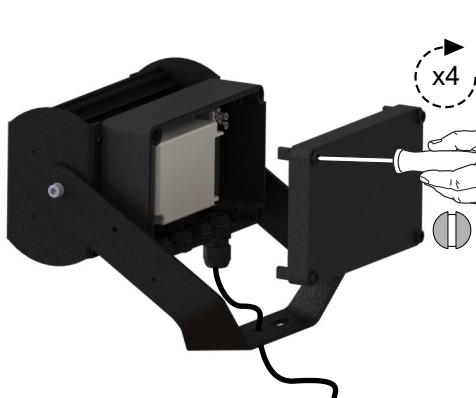


4b SP 60 or SP 90 or SP 120

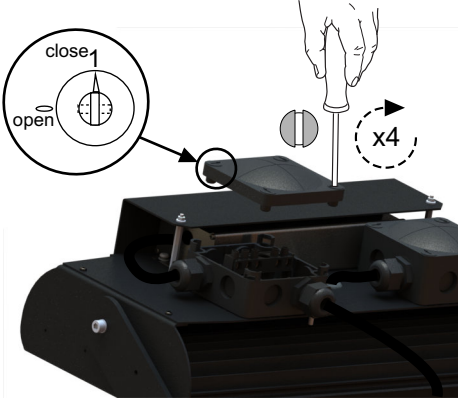
3 x 1.5mm² (max)



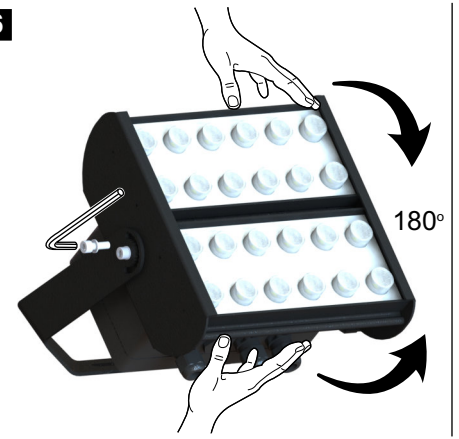
5a SP 15 or SP 30



5b SP 60 or SP 90 or SP 120

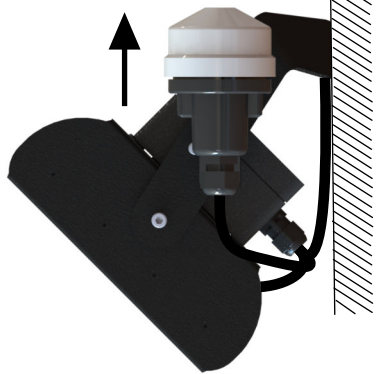


6



7

Optional
Photocell



Operation & Maintenance

Failed light source should be replaced promptly or the circuit switched off to avoid possible damage to control gear.

Important - Safety

Before carrying out any servicing on these luminaires, ensure that the mains supply is fully isolated.

Disconnect the luminaire before insulation testing of the installation.

Circuit Breaker Type	16A (B)	16A (C)	10A (B)
Spitfire 15W Standard Luminaire	28	-	17
Spitfire 30W Standard Luminaire	28	-	17
Spitfire 60W Standard Luminaire	32	32	-
Spitfire 90W Standard Luminaire	19	19	-
Spitfire 120W Standard Luminaire	3	5	-



The light source contained in this luminaire shall only be replaced by the manufacturer or his service agent or a similar qualified person.