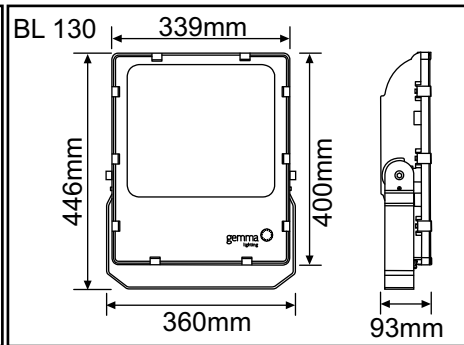
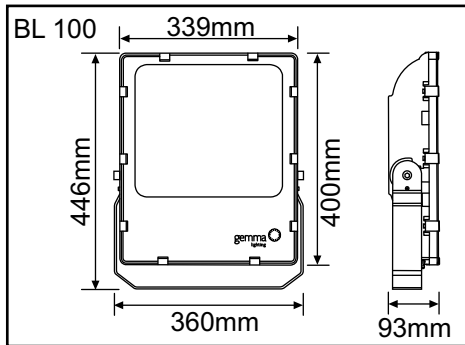
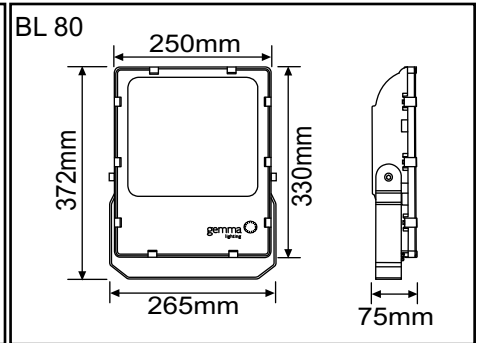
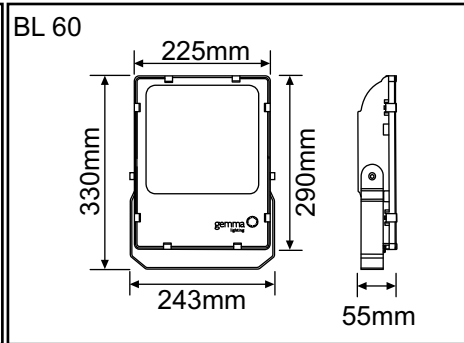
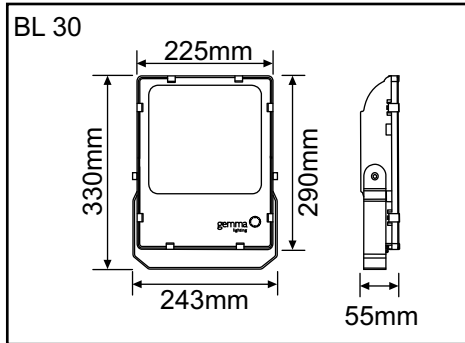
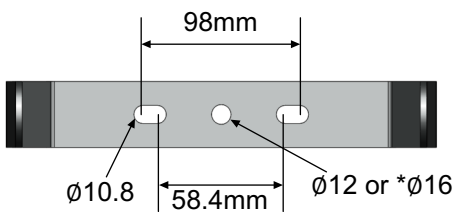


Power (w)	Standard kg	Standard & Nema kg	Windage - Surface (m ²)
30	3.5	3.5	0.06525m ²
60	3.5	3.5	0.06525m ²
80	5	5	0.093m ²
100	8	8	0.1356m ²
130	8	8	0.1356m ²

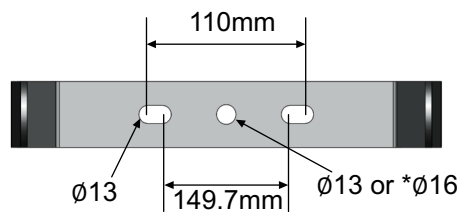


1a BL 30 or BL 60 or BL 80



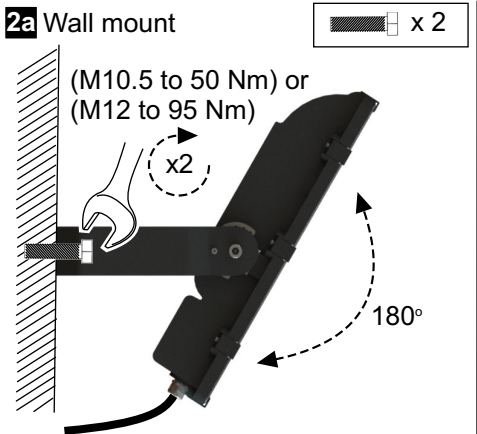
* Ø16 : Fitting for post mount

1b BL 100 or BL 130

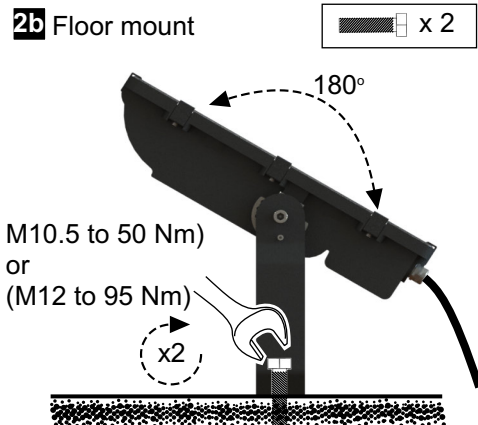


* Ø16 : Fitting for post mount

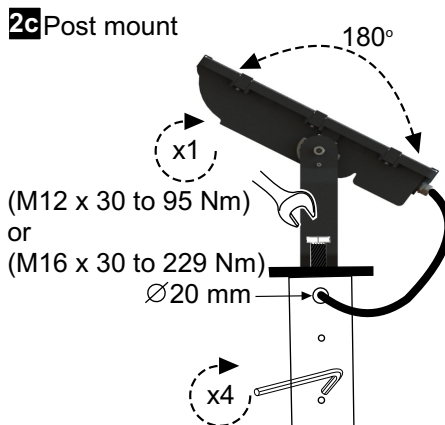
2a Wall mount



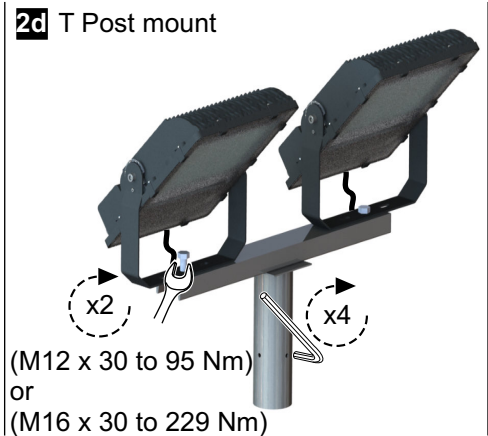
2b Floor mount

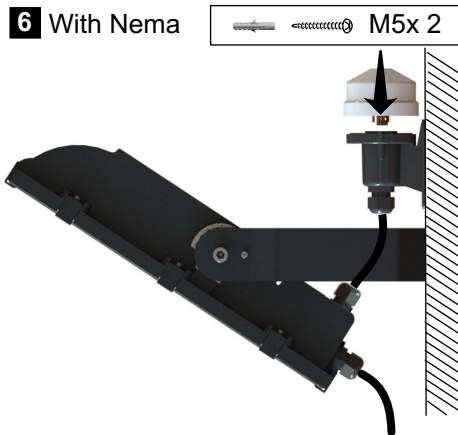
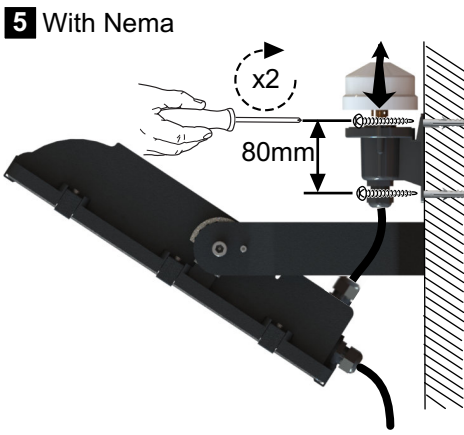
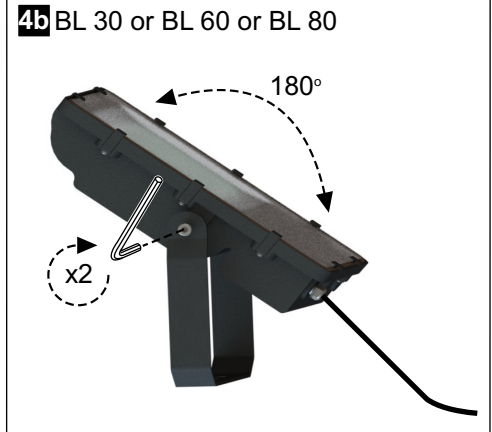
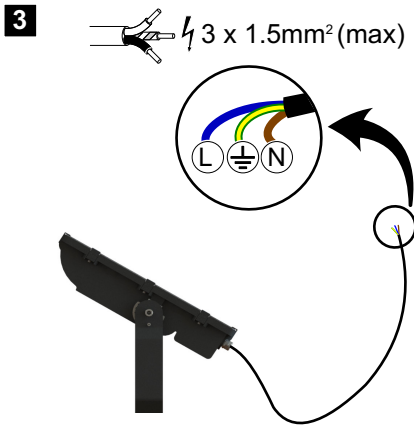


2c Post mount



2d T Post mount





BL 30 & BL 60

Circuit Breaker Type	B16	C16
Standard Luminaire	8	14

BL 80

Circuit Breaker Type	B16	C16
Standard Luminaire	4	6

BL 100 & BL 130

Circuit Breaker Type	B16	C16
Standard Luminaire	5	9

Operation & Maintenance
Failed light source should be replaced promptly or the circuit switched off to avoid possible damage to control gear.

Important - Safety
Before carrying out any servicing on these luminaires, ensure that the mains supply is fully isolated.

Disconnect the luminaire before insulation testing of the installation.



The light source contained in this luminaire shall only be replaced by the manufacturer or his service agent or a similar qualified person.