



The Orion 200W is a robust low weight, high efficiency IP65 rated LED High Bay.

Manufactured with a pure aluminium heat sink for maximum heat dissipation and featuring an aluminium reflector in a choice of beam angles.

Options include 1-10V LED driver and Dali.

Orion 200W - LED High Bay

Industrial Lighting



Features

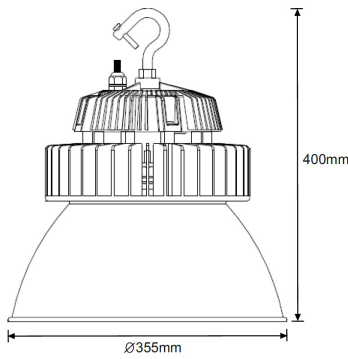
- LED rating 26,600lm
- Luminaire flux 22,895lm - 60° beam
- Luminaire flux 22,810lm - 90° beam
- Total Wattage 200W
- LEDlife span > 65,000hrs
- 4000K colour temperature - neutral white
- -20 to +40 operating temperature
- Nichia high power LEDs
- Options include 1-10V LED driver and Dali
- Pure aluminium heat sink for maximum heat dissipation
- High impact aluminium reflector

Applications

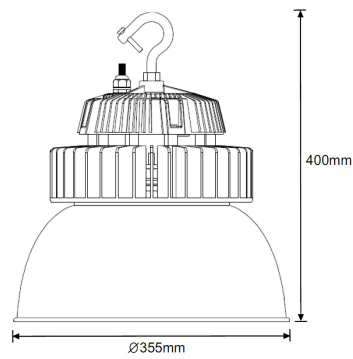
- Cold Stores
- Freezer Centres
- Warehouse
- Manufacturing
- Industrial Plants
- Factories

www.gemmalighting.com

0800 999 5201



Reflector Degree: 60



Reflector Degree: 90

Specifications

Orion 200W

Item number	Description	Light Source	LED Rating (lm)	Total Wattage (W)	Colour Name	CCT (K)	CRI	Voltage Range	Drive Current (mA)	Luminaire Flux (lm)	Luminaire Efficacy (lm/W)	Weight (kg)	Reflector Type	Reflector Beam Angle (°)
Standard														
OR200-A1N-00-S60	Orion-200W-LED-AC-4K-Std-60° Beam Reflector	LED	26,600	200	NW	4K	Ra>80	220-240	150	22,895	114	6.2	Aluminium	60
OR200-A1N-00-S90	Orion-200W-LED-AC-4K-Std-90° Beam Reflector	LED	26,600	200	NW	4K	Ra>80	220-240	150	22,810	114	6.2	Aluminium	90
Dali														
OR200-A1N-20-S60	Orion-200W-LED-AC-4K-Dali-60° Beam Reflector	LED	26,600	200	NW	4K	Ra>80	220-240	150	22,895	114	6.2	Aluminium	60
OR200-A1N-20-S90	Orion-200W-LED-AC-4K-Dali-90° Beam Reflector	LED	26,600	200	NW	4K	Ra>80	220-240	150	22,810	114	6.2	Aluminium	90
1-10V														
OR200-A1N-40-S60	Orion-200W-LED-AC-4K-1-10V-60° Beam Reflector	LED	26,600	200	NW	4K	Ra>80	220-240	150	22,895	114	6.2	Aluminium	60
OR200-A1N-40-S90	Orion-200W-LED-AC-4K-1-10V-90° Beam Reflector	LED	26,600	200	NW	4K	Ra>80	220-240	150	22,810	114	6.2	Aluminium	90

Legend: **Std** = Standard. **4K** = Neutral White (4000K).