



The Orion 60W is a robust low weight, high efficiency IP44 rated LED Low Bay.

Manufactured with a pure aluminium heat sink for maximum heat dissipation and featuring an aluminium reflector in a choice of beam angles.

Orion 60W - LED Low Bay

Industrial Lighting

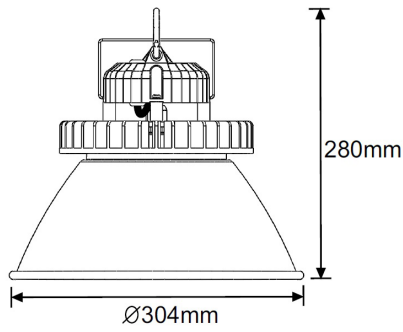


Features

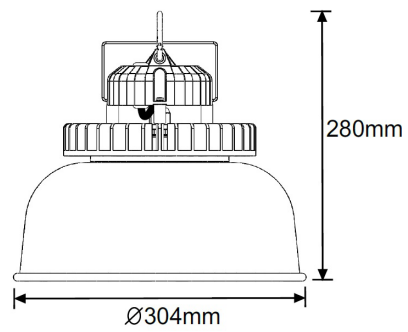
- LED rating 8,000lm
- Luminaire flux 6,820lm
- Total Wattage 60W
- LEDlife span > 65,000hrs
- 4000K colour temperature - neutral white
- -20 to +40 operating temperature
- Nichia high power LEDs
- Pure aluminium heat sink for maximum heat dissipation
- High impact aluminium reflector

Applications

- Cold Stores
- Freezer Centres
- Warehouse
- Manufacturing
- Industrial Plants
- Factories



Reflector Degree: 60



Reflector Degree: 90

Specifications

Orion 60W

Item number	Description	Light Source	LED Rating (lm)	Total Wattage (W)	Colour Name	CCT (K)	CRI	Voltage Range	Drive Current (mA)	Luminaire Flux (lm)	Luminaire Efficacy (lm/W)	Weight (kg)	Reflector Type	Reflector Beam Angle (°)
Standard														
OR60-A1N-00-S60	Orion-60W-LED-AC-4K-Std-60° Beam Reflector	LED	8,000	60	NW	4K	Ra>80	220-240	150	6,820	114	2.0	Aluminium	60
OR60-A1N-00-S90	Orion-60W-LED-AC-4K-Std-90° Beam Reflector	LED	8,000	60	NW	4K	Ra>80	220-240	150	6,820	114	2.0	Aluminium	90

Legend: **Std** = Standard. **4K** = Neutral White (4000K).