



The Westminster 10w architectural bollard offers both aesthetic appeal and high performance illumination.

Designed for easy maintenance and installation with removable head, access door and factory fitted fuse cut out as standard.

Manufactured from extruded aluminium alloy (grade 6063) with die-cast aluminium components and non corrosive Stainless Steel fixings. Finished in pure polyester powder Graphite Grey (RAL 7024) paint.

Options available include bolt-on root, 180° Asymmetric head, Mini Photocell and 3hr Emergency.

## Bollard Lighting



180° Degree Option.

(Change Code to WBHD)



360° Degree Option.

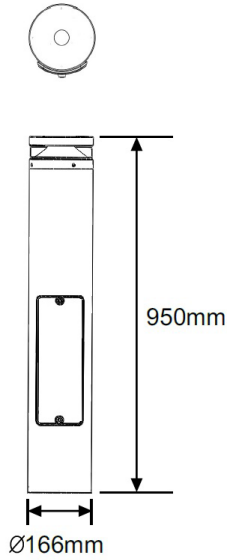
## Features

- LED rating 1,320lm (4000K & 6000K).
- LED rating 1,117lm (3000K).
- Luminaire flux 884lm (4000K & 6000K).
- Luminaire flux 748lm (3000K).
- 3000K, 4000K and 6000K colour temperature options.
- -20 to +40°C operating temperature (Emergency 0 to +40°C).
- LED life span > 100,000hrs.
- Osram LED and Osram driver.
- Easy access to LED and driver via a removable head & access door.
- 6 Amp double pole, single fuse cut out, complete with brass plate with 2 x 20mm holes fitted as standard.
- Tamper proof fixings for increased vandal resistance.
- Manufactured from extruded die cast aluminium with strong UV stabilised polycarbonate lens.

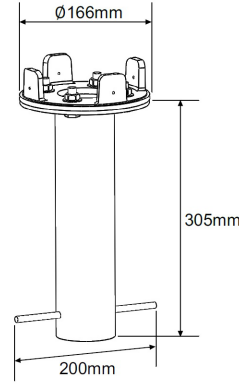
## Applications

- Prestigious Grounds
- Walk Ways
- Car Parks
- Security
- Parks and Gardens
- Amenity Areas

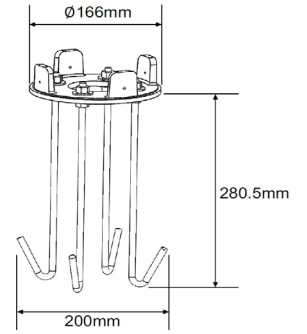
# Dimensions



# Fixing Options



FIX-0428



FIX-0429

# Specifications

## Westminster 10W

Item Number	Description	Light Source	LED Rating (lm)	Total Wattage (W)	CCT (K)	CRI	Voltage (VAC)	Luminaire Flux (lm)	Luminaire Efficacy (lm/W)	KG
<b>Standard</b>										
WBD10-AC-00GH-950	Westminster-360°-Door-10W-AC-6K-Std-RAL7024-950mm	LED	1,320	10	6K	Ra>70	220-240	884	88	7.5
WBD10-AN-00GH-950	Westminster-360°-Door-10W-AC-4K-Std-RAL7024-950mm	LED	1,320	10	4K	Ra>70	220-240	884	88	7.5
WBD10-AW-00GH-950	Westminster-360°-Door-10W-AC-3K-Std-RAL7024-950mm	LED	1,117	10	3K	Ra>80	220-240	748	75	7.5
<b>Standard - Emergency</b>										
WBD10-AC-01GH-950	Westminster-360°-Door-10W-AC-6K-Std-E3-RAL7024-950mm	LED	1,320	10	6K	Ra>70	220-240	884	88	8
WBD10-AN-01GH-950	Westminster-360°-Door-10W-AC-4K-Std-E3-RAL7024-950mm	LED	1,320	10	4K	Ra>70	220-240	884	88	8
WBD10-AW-01GH-950	Westminster-360°-Door-10W-AC-3K-Std-E3-RAL7024-950mm	LED	1,117	10	3K	Ra>80	220-240	748	75	8
<b>Standard - Mini Photocell</b>										
WBD10-AC-04GH-950	Westminster-360°-Door-10W-AC-6K-Std-M/Photocell-RAL7024-950mm	LED	1,320	10	6K	Ra>70	220-240	884	88	7.5
WBD10-AN-04GH-950	Westminster-360°-Door-10W-AC-4K-Std-M/Photocell-RAL7024-950mm	LED	1,320	10	4K	Ra>70	220-240	884	88	7.5
WBD10-AW-04GH-950	Westminster-360°-Door-10W-AC-3K-Std-M/Photocell-RAL7024-950mm	LED	1,117	10	3K	Ra>80	220-240	748	75	7.5
<b>Standard - Mini Photocell - Emergency</b>										
WBD10-AC-10GH-950	Westminster-360°-Door-10W-AC-6K-Std-M/Photocell-E3-RAL7024-950mm	LED	1,320	10	6K	Ra>70	220-240	884	88	8
WBD10-AN-10GH-950	Westminster-360°-Door-10W-AC-4K-Std-M/Photocell-E3-RAL7024-950mm	LED	1,320	10	4K	Ra>70	220-240	884	88	8
WBD10-AW-10GH-950	Westminster-360°-Door-10W-AC-3K-Std-M/Photocell-E3-RAL7024-950mm	LED	1,117	10	3K	Ra>80	220-240	748	75	8

# Specifications

## Westminster 10W

Item Number	Description	Light Source	LED Rating (lm)	Total Wattage (W)	CCT (K)	CRI	Voltage (VAC)	Luminaire Flux (lm)	Luminaire Efficacy (lm/W)	Kg	Unit Colour (RAL)
<b>Dali</b>											
WBD10-AC-20GH-950	Westminster-360°-Door-10W-AC-6K-Dali-RAL7024-950mm	LED	1,320	10	6K	Ra>70	220-240	884	88	7.5	7024
WBD10-AN-20GH-950	Westminster-360°-Door-10W-AC-4K-Dali-RAL7024-950mm	LED	1,320	10	4K	Ra>70	220-240	884	88	7.5	7024
WBD10-AW-20GH-950	Westminster-360°-Door-10W-AC-3K-Dali-RAL7024-950mm	LED	1,117	10	3K	Ra>80	220-240	748	75	7.5	7024
<b>Dali - Dali/Emergency</b>											
WBD10-AC-32GH-950	Westminster-360°-Door-10W-AC-6K-Dali-Dali/E3-RAL7024-950mm	LED	1,320	10	6K	Ra>70	220-240	884	88	8	7024
WBD10-AN-32GH-950	Westminster-360°-Door-10W-AC-4K-Dali-Dali/E3-RAL7024-950mm	LED	1,320	10	4K	Ra>70	220-240	884	88	8	7024
WBD10-AW-32GH-950	Westminster-360°-Door-10W-AC-3K-Dali-Dali/E3-RAL7024-950mm	LED	1,117	10	3K	Ra>80	220-240	748	75	8	7024
<b>Dali - Mini Photocell - Dali/Emergency</b>											
WBD10-AC-34GH-950	Westminster-360°-Door-10W-AC-6K-Dali-M/Photocell-Dali/E3-RAL7024-950mm	LED	1,320	10	6K	Ra>70	220-240	884	88	8	7024
WBD10-AN-34GH-950	Westminster-360°-Door-10W-AC-4K-Dali-M/Photocell-Dali/E3-RAL7024-950mm	LED	1,320	10	4K	Ra>70	220-240	884	88	8	7024
WBD10-AW-34GH-950	Westminster-360°-Door-10W-AC-3K-Dali-M/Photocell-Dali/E3-RAL7024-950mm	LED	1,117	10	3K	Ra>80	220-240	748	75	8	7024

Note: Bollard will continue to work at 100% for 3Hrs in emergency mode.

Legend: **Std** = Standard. **M/Photocell** = Mini Photocell. **3K** = Warm White (3000K). **4K** = Neutral White (4000K). **6K** = Cool White (6000K).